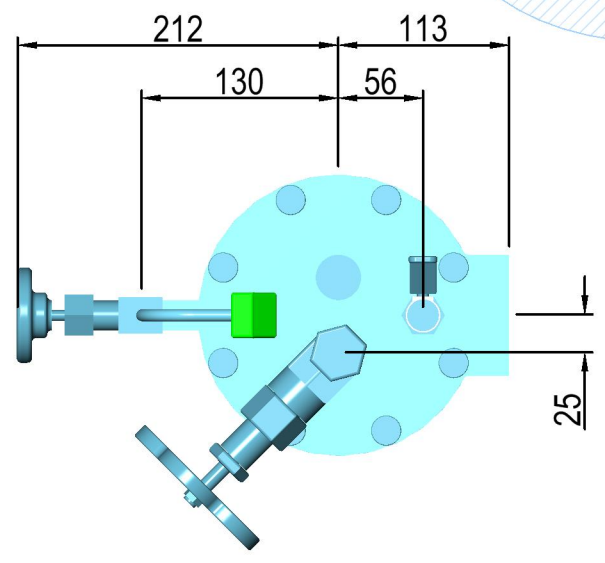
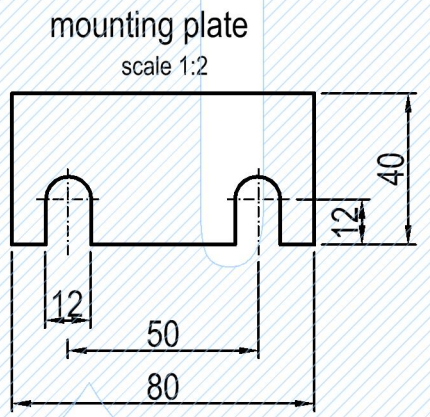


- cooling water inlet (Rp 3/4")
- cooling water outlet (Rp 3/4")
- sample inlet (DN 10, Ø14)
- sample outlet (DN 6, Ø8)
- thermometer
- lift check valve
- ball valve
- isolating globe valve
- mounting plate
- throttling globe valve
- shell (removable)
- nameplate
- drain (Rp 1/2") with hex head plug (R 1/2")



EWT Eckert Wassertechnik GmbH Ludwig-Erhard-Straße 11, 29225 Celle, Germany			
Herstellung manufacture			
Typ type	125-400 H	1 Druckraum chamber	2
PS min./ max.	0 / 160 bar	0 / 10 bar	
TS min./ max.	0 / 350 °C	0 / 110 °C	
V	0,4 L	6 L	
PT	360 bar	16 bar	
80			

01	30.03.2018	M. Eckert	adjustment of name plate details, text details
00	14.11.2016	R. Milk	first issue
Bauherr / Owner		Kunde / Client	
		GmbH	
Maßstab Scale		sample cooler 125-400 H	
Größe Size		A3	
for sampling, condensation and subcooling of saturated steam		Zeichnung Nr. Drawing No. 20000-6020-01	
		Kommission Nr. Job No.	
		Kennwort Code Word	
		Revisionsstand Revision Index 01	