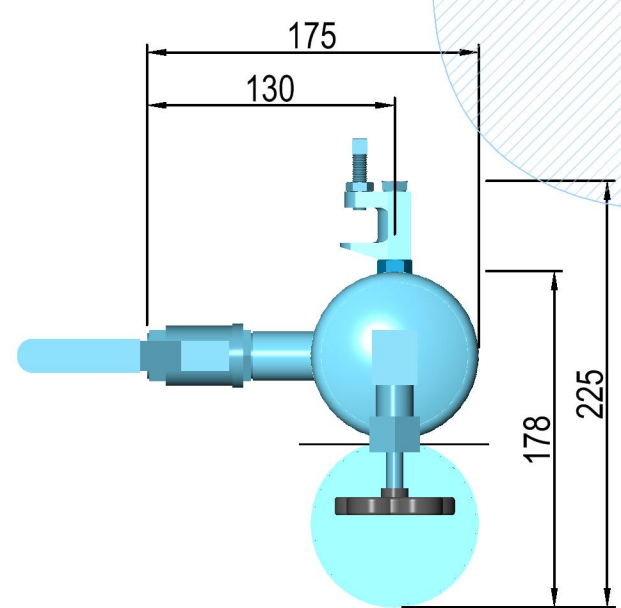
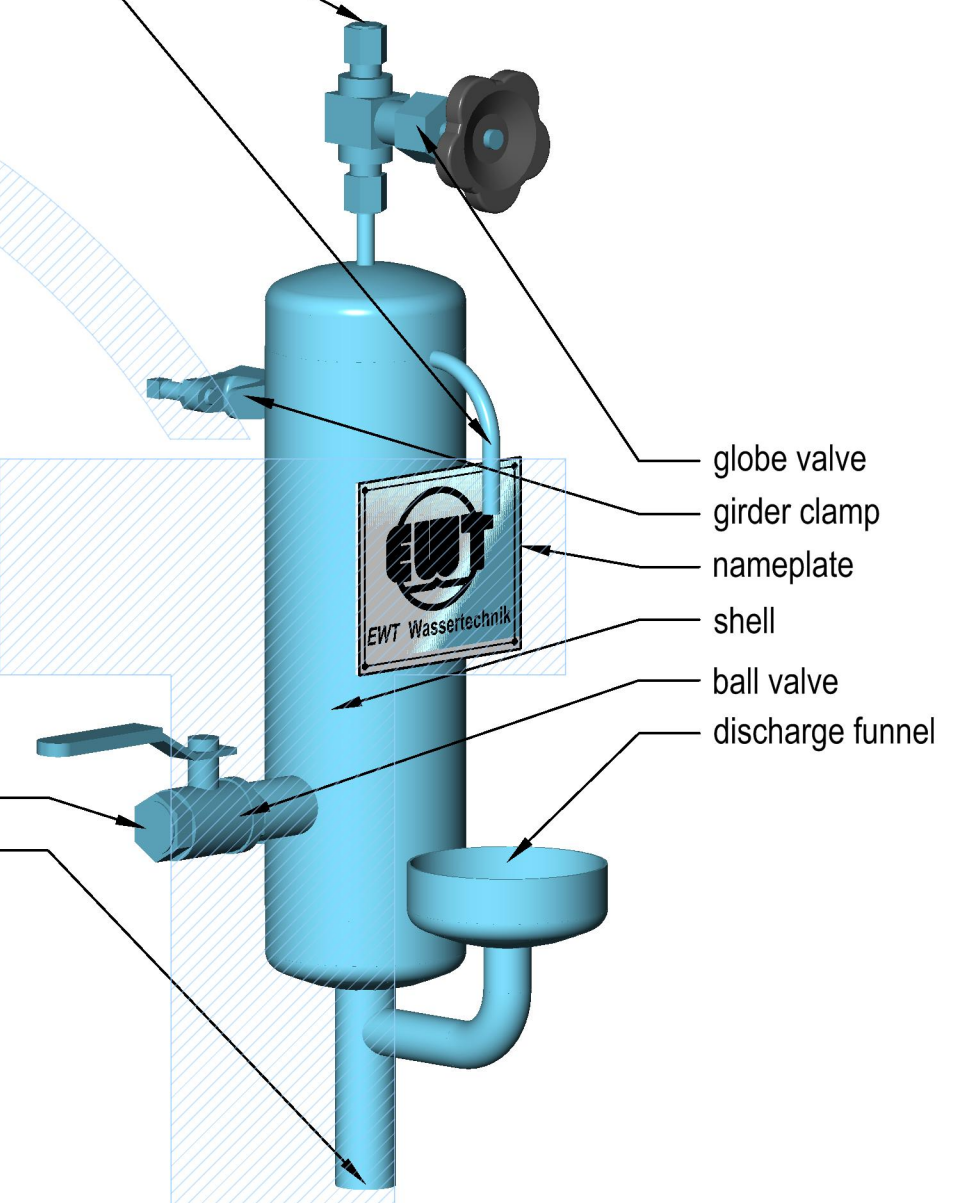


sample inlet (DN 6, Ø8)
sample outlet (DN 6, Ø8)



EWT Eckert Wassertechnik GmbH
Ludwig-Erhard-Straße 11, 29225 Celle, Germany

Herstellung manufacture

| | | | |
|--------------|------------|---------------------|---|
| Typ type | 080-250 C | 1 Druckraum chamber | 2 |
| PS min./max. | 0 / 16 bar | 0 / 10 bar | |
| TS min./max. | 0 / 200 °C | 0 / 110 °C | |
| V | 0,1 L | 1,5 L | |
| PT | 360 bar | 16 bar | |

| | | | |
|--|------------|----------------|--|
| 01 | 30.03.2018 | M. Eckert | adjustment of name plate, text details |
| 00 | 23.11.2017 | R. Milk | first issue |
| Bauherr / Owner | | Kunde / Client | |
| Maßstab Scale 1:4 Größe Size A3 | | | sample cooler 080-250 C Zeichnung Nr. 20010-6040-01 Kommission Nr. Job No. Kennwort Code Word Revisionsstand Revision Index 01 |

for sampling and subcooling of hot water